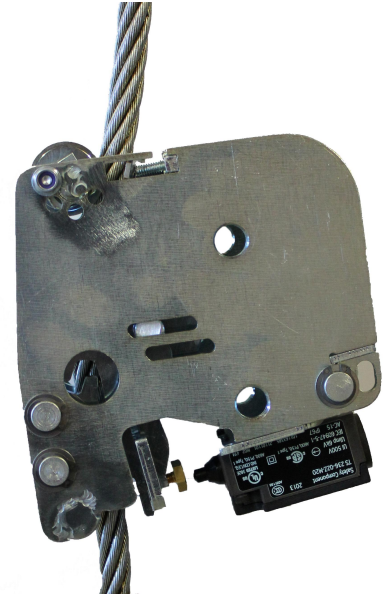


Overload Switch

Mechanical Overload Switch

Product Description

SM4067/SM4068 is standart delivered with 2 refraction point in use for crane-certificate(for example 5&10T crane overload limits)



Specifications

Article number:	SM4067, SM4068	
Application areas:	Mechanical overload switch for hoisting equipment	
Hysteresis:	max, 4% FS	
SM4067	for wire: Ø6-13mm	
SM4068	for wire: Ø13-20mm	

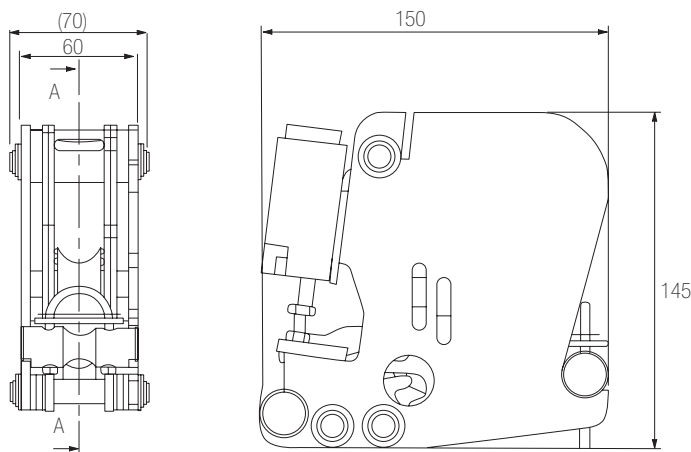
Maximum load:

SM4067/68	50 KN
------------------	-------

Size (w x h x l): **SM4067/68:** 70 x 145 x 150

Weight: **SM4067/68:** 3,7 kg

- Minimal lifting height reduction / very compact size (only 150mm length)
- Quick and precise installation with simple tools
- Mounted on the dead end of the wire rope
- An opening to the spring makes possible to see when the switch is adjusted correctly
- Available ex. stock (DK)
- The same model can be adjusted to fit different wire sizes and kg/ton



ATEX / IECEx Approved to
Ex ia IIC T6
Ex tD A20 IP68 T85C

